

Using the blend setting

The Milk Maker can be used to blend ingredients using the blend setting. The filter basket is not required for this action.

STEP 1: Before connecting to the mains power supply, position the plastic jug onto a flat, stable surface at a height that is comfortable for the user.

STEP 2: Chop the ingredients into approx. 2 cm cubes and place them into the jug.

STEP 3: Add liquid to the plastic jug, making sure that the total volume is above the min. fill mark but below the max. fill mark.

STEP 4: Connect the power supply cord to the jug handle, then place the lid on top of the plastic jug. Press **'ON/OFF'** to switch on the Milk Maker. The Milk Maker will emit a sound and the indicator light will illuminate. The display will also show '----'.

STEP 5: Press **'MODE'** until the **'BLEND'** indicator light illuminates.

STEP 6: Press **'ON/OFF'** to begin; the **'BLEND'** indicator light will flash during use.

When using the **'BLEND'** setting the timer will begin to count down. The cycle lasts for approx. 2 minutes.

STEP 7: To stop blending at any time, press **'ON/OFF'**. Once the blend setting has ended, the Milk Maker will beep repeatedly. Press **'ON/OFF'** to stop the sound and switch off at the mains power supply.

STEP 8: Carefully remove the lid and transfer the liquid into a suitable container; the lid must be completely removed prior to transferring the liquid.



NOTE: Do not blend dry ingredients and do not use the **'BLEND'** setting for more than three full cycles without allowing the Milk Maker to cool sufficiently.

Storage

Before storing in a cool, dry place, the Milk Maker should be cool, clean and dry. Never wrap the cord tightly around the Milk Maker; wrap it loosely to avoid causing damage.

Troubleshooting

Problem	Solution
The Milk Maker is not working and is beeping.	The liquid level is too high.
The Milk Maker has stopped mid setting.	The lid is loose. The liquid level is too high, or the Milk Maker has been overfilled.
Food deposits are hard on the base after the milk has been made.	Follow the instructions in the section entitled 'Care and maintenance' to remove deposits.

Hint and tips

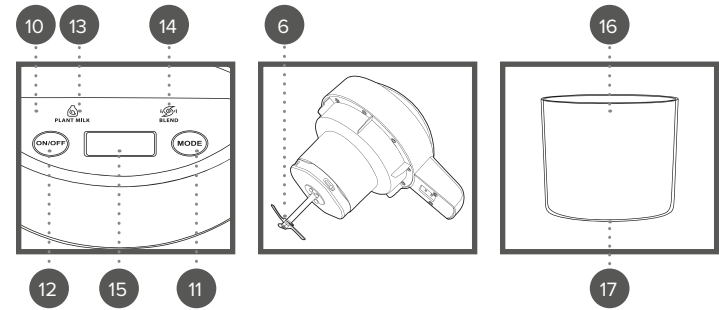
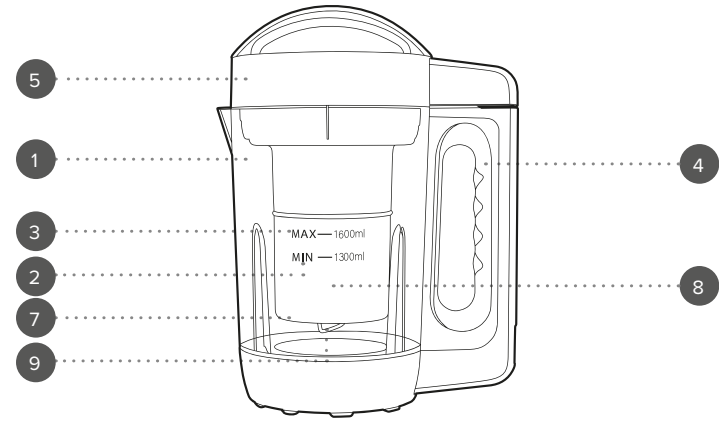
- Always soak nuts, grains or seeds before blending to achieve the best results and to preserve the life of the Milk Maker.
- Consume milk within 2–3 days.
- Rice should be cooked before use in the Milk Maker.

Specifications

Product code: EK5258
 Input: 220–240 V ~ 50–60 Hz
 Output: 140 W

User manual

Plant Milk Maker



1. Plastic jug
2. Min. fill line (1300 ml)
3. Max. fill line (1600 ml)
4. Jug handle
5. Lid
6. Blender blade
7. Filter basket
8. Filter basket fill line
9. Filter basket rivet
10. Control panel
11. Mode button (**MODE**)
12. On/off button (**ON/OFF**)
13. Plant Milk indicator light (**PLANT MILK**)
14. Blend indicator light (**BLEND**)
15. LED display
16. Collector container
17. Collector container slot



Disposal of Waste Batteries and Electrical and Electronic Equipment
 This product is labelled with this crossed out wheel bin symbol in accordance with European Directive 2012/19/EC to indicate that it must not be disposed of with your other household waste. Due to the presence of hazardous substances, mixtures or components, electrical and electronic devices that are not subject to selective sorting are potentially dangerous to the environment and human health. Please check your local city office or waste disposal service for the return and recycling of this product.

Manufactured by:
 Ultimate Products UK Ltd.,
 Victoria Street, Manchester OL9 0DD. **UK.**
 Ultimate Products Europe Ltd.,
 19 Baggot Street Lower, Dublin D02 X658. **ROI.**
MADE IN CHINA.

Please retain instructions for future reference.

SAFETY INSTRUCTIONS

- When using electrical appliances, basic safety precautions should always be followed.
- Check that the voltage indicated on the rating plate corresponds with that of the local network before connecting the appliance to the mains power supply.
- This appliance can be used by children aged from 8 years and above and persons with reduced physical, sensory or mental capabilities and knowledge, if they have been supervised/instructed and understand the hazards involved.
- Children shall not play with the appliance.
- Children should not perform cleaning or user maintenance, unless they are older than 8 and supervised.
- This appliance is not a toy.
- If the power supply cord, plug or any part of the appliance is malfunctioning or if it has been dropped or damaged, cease using the product immediately to avoid potential injury.
- This appliance contains no user serviceable parts, only a qualified electrician should carry out repairs. Improper repairs may place the user at risk of harm.
- Keep the appliance and its power supply cord out of the reach of children.
- Keep the appliance out of the reach of children when it is switched on or cooling down.
- Keep the appliance and its power supply cord away from heat or sharp edges that could cause damage.
- Keep the power supply cord away from any parts of the appliance that may become hot during use.
- Keep the appliance away from other heat emitting appliances.
- Do not allow the power supply cord to hang over worktops, touch hot surfaces or become twisted.
- Do not immerse the electrical components of this appliance in water or any other liquid.
- Do not operate the appliance with wet hands or if any connections are wet.
- If this appliance falls or accidentally becomes immersed in water, unplug it from the wall outlet immediately. Do not reach into the water.
- Do not leave the appliance unattended whilst connected to the mains power supply.
- Do not remove the appliance from the mains power supply by pulling the cord; switch it off and remove the plug by hand.
- Do not pull or carry the appliance by its power supply cord.
- Do not use the appliance for anything other than its intended use.
- Do not use any accessories other than those supplied.
- Do not use any damaged accessories.
- Do not use this appliance outdoors.
- Do not store the appliance in direct sunlight or in high humidity conditions.
- Do not move the appliance whilst it is in use.
- Do not touch any moving parts on this appliance during use, as this could cause injury.

- Do not touch any sections of the appliance that may become hot during use, as this could cause injury.
- Always unplug the appliance after use and ensure it has cooled fully before any cleaning, user maintenance or storing away.
- Always use the appliance on a stable, heat-resistant surface, at a height that is comfortable for the user.
- Use of an extension cord with the appliance is not recommended.
- This appliance should not be operated by means of an external timer or separate remote control system.
- This appliance is intended for domestic use only. It should not be used for commercial purposes.



CAUTION: Keep hands, fingers, hair and any loose clothing away from the rotating tools of the appliance.



WARNING: Do not touch sharp blades.

Dos and don'ts

DO:

Switch off the M!lk Maker and disconnect it from the mains power supply before changing or fitting attachments.

Check that the base of the M!lk Maker is clean before each cycle.

Always fill the plastic jug above the min. fill mark, whilst making sure not to exceed the max. fill mark.

DON'T:

Dry blend ingredients; always add a small amount of liquid.

Use attachments or cutting/rotating blades if they are loose, damaged or broken.

Connect the M!lk Maker to the mains power supply until the required ingredients have been added.

Operate the M!lk Maker when the plastic jug is empty.

Allow any liquid into the connection pins on the underside of the lid. If liquid is accidentally spilled onto the connection pins, dry thoroughly with a paper towel before fitting.



NOTE: The M!lk Maker will not operate unless the lid is positioned correctly on the plastic jug; follow the instructions in the section entitled 'Using the M!lk Maker'. The M!lk Maker is designed to create fresh plant-based milk. It can also be used to blend ingredients. Always carry the M!lk Maker by the side handle. Do not remove the lid until the blades have stopped rotating.

Care and maintenance

Switch off and unplug the M!lk Maker from the mains power supply and allow it to cool fully.

STEP 1: Wipe the M!lk Maker and the overflow sensor with a soft, damp cloth and allow to dry thoroughly. Never use harsh or abrasive scourers to clean the M!lk Maker as this could cause damage.

STEP 2: To clean the inside of the plastic jug and the underside of the lid, rinse in clean water to remove milk or food residue. Wipe with a soft cloth and a mild detergent before rinsing again.

STEP 3: Use the 'BLEND' setting to remove stubborn stains by adding hot water (up to the min. fill mark) with a small amount of mild detergent. Fit the lid and press 'ON/OFF' to switch on the machine, then select 'MODE' until the 'BLEND' setting is selected. Press 'ON/OFF' to begin cleaning.



NOTE: When using the 'BLEND' setting to remove stains it is recommended to leave water in the M!lk Maker for approx. 10–15 minutes prior to operation. Do not use the 'BLEND' setting for more than 20 seconds at a time.



WARNING: Handle the lid with care, as the blades are extremely sharp and cannot be removed. Exercise caution when attaching, removing, cleaning or storing the lid. Do not allow liquid to spill onto the connection pins, if this occurs dry thoroughly before use.

Instructions for use

Before first use

Before using the M!lk Maker for the first time, wipe it clean with a soft, damp cloth and dry thoroughly.



NOTE: When using the M!lk Maker for the first time, a slight odour may be emitted. This is normal and will soon subside. Allow for sufficient ventilation around the M!lk Maker.



WARNING: None of the M!lk Maker parts are dishwasher suitable. Hand-wash in warm, soapy water and allow to dry thoroughly. Do not immerse the lid, power cord or jug in water or any other liquid.

Using the M!lk Maker

STEP 1: Before connecting to the mains power supply, position the plastic jug onto a flat, stable surface at a height that is comfortable for the user.

STEP 2: Add ingredients to the filter basket, taking care not to exceed the filter basket fill line. Fit the filter basket onto the lid by carefully placing it over the blade and rotating in a clockwise direction until secure.

STEP 3: Add liquid to the plastic jug, making sure that the total volume is above the min. fill mark but below the max. fill mark.

STEP 4: Push the lid onto the top of the jug making sure it is slotted in properly.

STEP 5: Plug the power supply cord into the jug handle and switch on the M!lk Maker at the mains power supply; the M!lk Maker will emit a sound and the indicator lights will begin to flash. The display will also show '----'.

STEP 6: Press 'ON/OFF' to switch on the M!lk Maker. The 'PLANT MILK' indicator will illuminate.

STEP 7: Press 'ON/OFF' to begin; the 'PLANT MILK' indicator light will flash during use. To stop blending at any time, press 'ON/OFF'. Remove the power supply cord from the jug handle, then remove the lid.

STEP 8: To remove the filter basket from the lid, use the collector container.

Align the rivet on the base of the filter basket with the slots inside the collector container. The collector container prevents pulp spillages when removing the filter basket from the lid.

STEP 9: Hold the collector container firmly and gently twist the lid in a clockwise direction until the filter basket unlocks and can be separated from the lid.

STEP 10: Lift the lid away from the filter basket and transfer the pulp into a suitable container.

STEP 11: Transfer the milk into a suitable container; the lid must be completely removed prior to transferring the milk.

STEP 12: Allow the M!lk Maker to cool fully before making a second batch of milk.



NOTE: During the blend cycle the timer will count down for one minute. The M!lk Maker blends for 3 cycles. Each cycle is 15 seconds long with a break in between each. Once the one minute cycle has ended, the M!lk Maker will beep repeatedly. Press 'ON/OFF' to stop the beeping, then switch off and unplug at the mains power supply.



CAUTION: Only add cold liquid to the M!lk Maker. Check that the lid is positioned securely before use. Do not add frozen ingredients to the M!lk Maker. All ingredients must be thawed and at room temperature.